

INTERFACE KIT TYPE C

PARTS CATALOG

PARTS CATALOG

INTRODUCTION

This chapter instructs you the numbers and names of parts on this kit.

INDEX to PARTS CATALOG

CONTROLLER INTERFACE KIT TYPE C

CONTROLLER INTERFACE KIT TYPE C
(A583-05)

PARTS CATALOG

INTRODUCTION

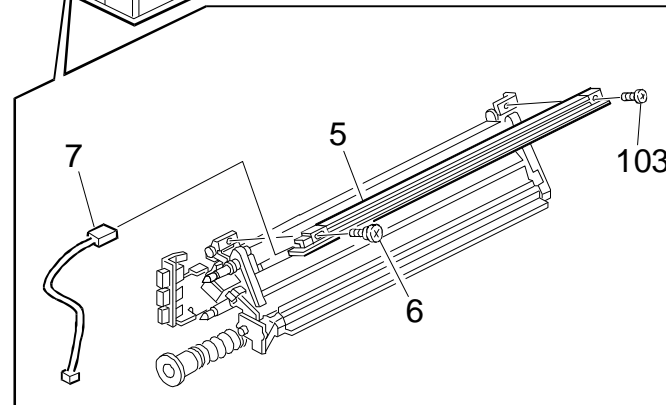
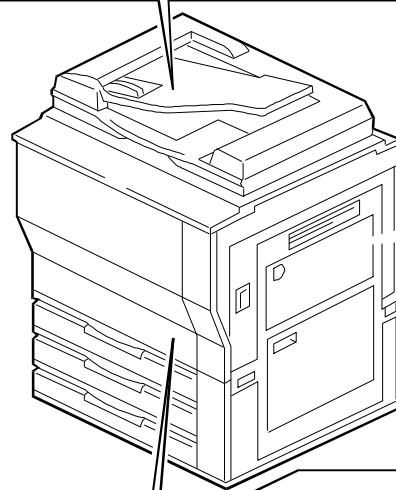
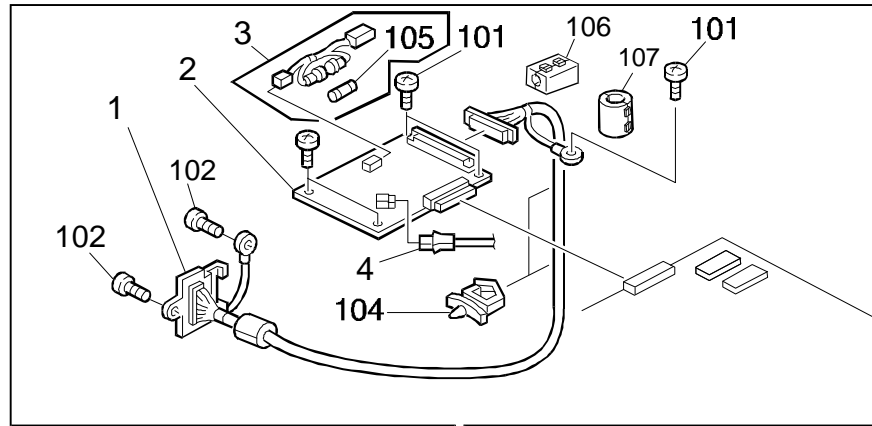
This chapter instructs you the numbers and names of parts on this machine.

INDEX to PARTS CATALOG

1.CONTROLLER INTERFACE KIT TYPE C (A583) 2

PARTS INDEX 5

1. CONTROLLER INTERFACE TYPE C (A583)



1. CONTROLLER INTERFACE TYPE C (A583)

Index No.	Part No.	Description	Q'ty Per Assembly
1	A583 5201	Controller Interface Harness	1
2	A399 7013	Controller Interface Board	1
3	A583 5202	Fuse Harness	1
4	AW03 0020	Fiber Cable	1
5	A030 5243	Pre - Transfer Lamp	1
6	AA14 3183	Stepped Screw	1
7	A172 5387	PTL Harness	1

Index No.	Part No.	Description	Q'ty Per Assembly
101	0314 0080M	Philips Pan Head Screw - M4x8	
102	0354 0060B	Screw - M4X6	
103	0313 0080B	Philips Pan Head Screw - M3x8	
104	1105 0291	Wire Saddle	
105	1107 0752	Fuse - 5A 250V	
106	1607 0646	Ferrite Core SFC-6	
107	1607 0534	Ferrite Core - ZCAR3035-1330	

PARTS INDEX

Part No.	Description	Page and Index No.
A583 5201	Controller Interface Harness	3 - 1
A583 5202	Fuse Harness	3 - 3

Part No.	Description	Page and Index No
AA14 3183	Stepped Screw	3 - 6
AW03 0020	Fiber Cable	3 - 4
A030 5243	Pre - Transfer Lamp	3 - 5
A172 5387	PTL Harness	3 - 7
A399 7013	Controller Interface Board	3 - 2
0313 0080B	Philips Pan Head Screw - M3x8	3 - 103
0314 0080M	Philips Pan Head Screw - M4x8	3 - 101
0354 0060B	Screw - M4X6	3 - 102
1105 0291	Wire Saddle	3 - 104
1107 0752	Fuse - 5A 250V	3 - 105
1607 0534	Ferrite Core - ZCAR3035-1330	3 - 106
1607 0646	Ferrite Core SFC-6A	3 - 106